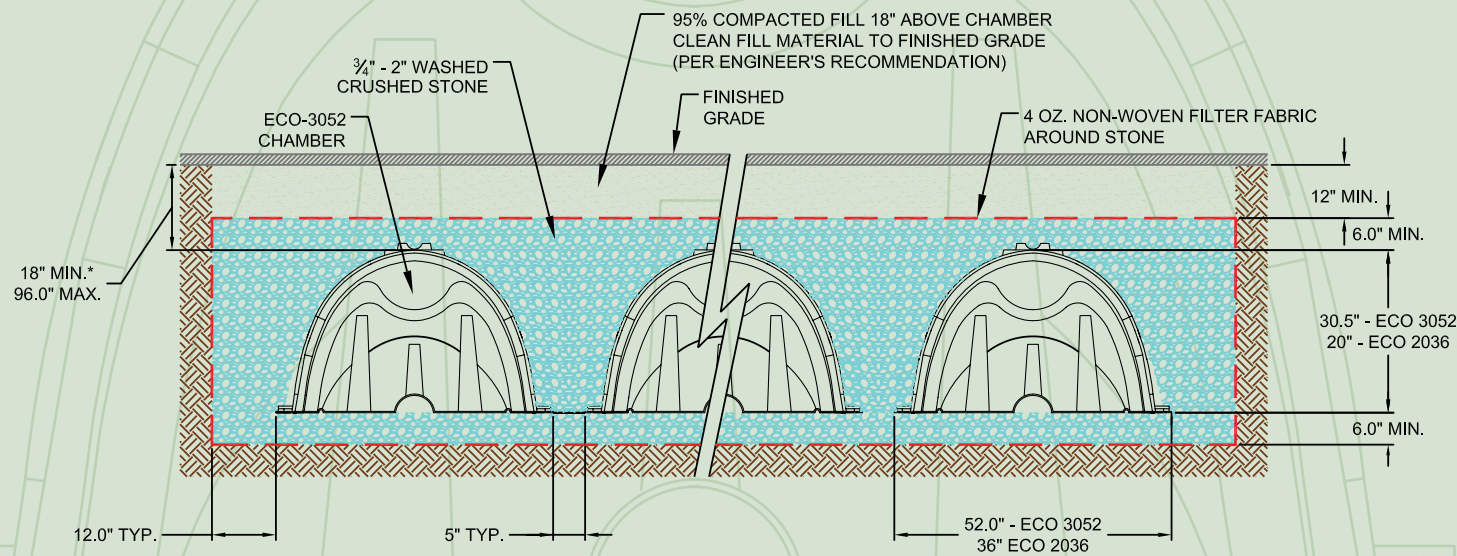


Competitor Comparison

| Features | ecoChamber ¹ | Contech ² | StormTech ³ |
|---|-------------------------|----------------------|------------------------|
| Installed Storage (f ³ /1f) | 11.2 | 10.8 | 10.7 |
| Installed Storage (f ³ /f ² of bed) | 2.35 | 2.29 | 2.21 |
| Live Load (meets or exceeds) | HS-20 | HS-20 | HS-20 |

1 : ecoChamber® 3052 2 : ChamberMaxx® Middle Chamber 3 : SC-740



NOTE: THIS CROSS SECTION DETAILS MINIMUM REQUIREMENT FOR HS-20 LOADING AS DEFINED BY AASHTO LRFD SECTION 12
* FOR UNPAVED INSTALLATIONS WHERE TRAFFIC MAY CAUSE RUTTING INCREASE MINIMUM COVER TO 24".



ecoChamber

Underground Stormwater Chambers



Subsurface Stormwater Management

Product Features

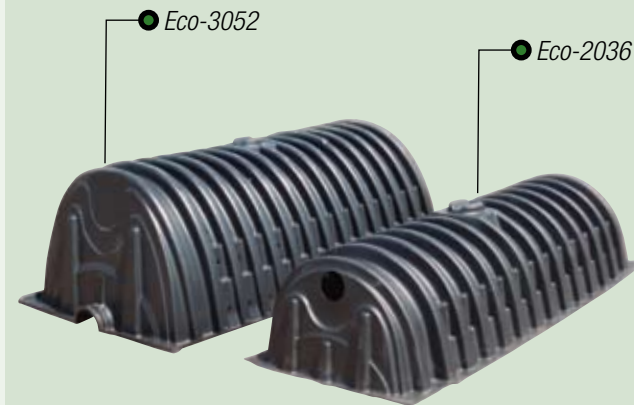
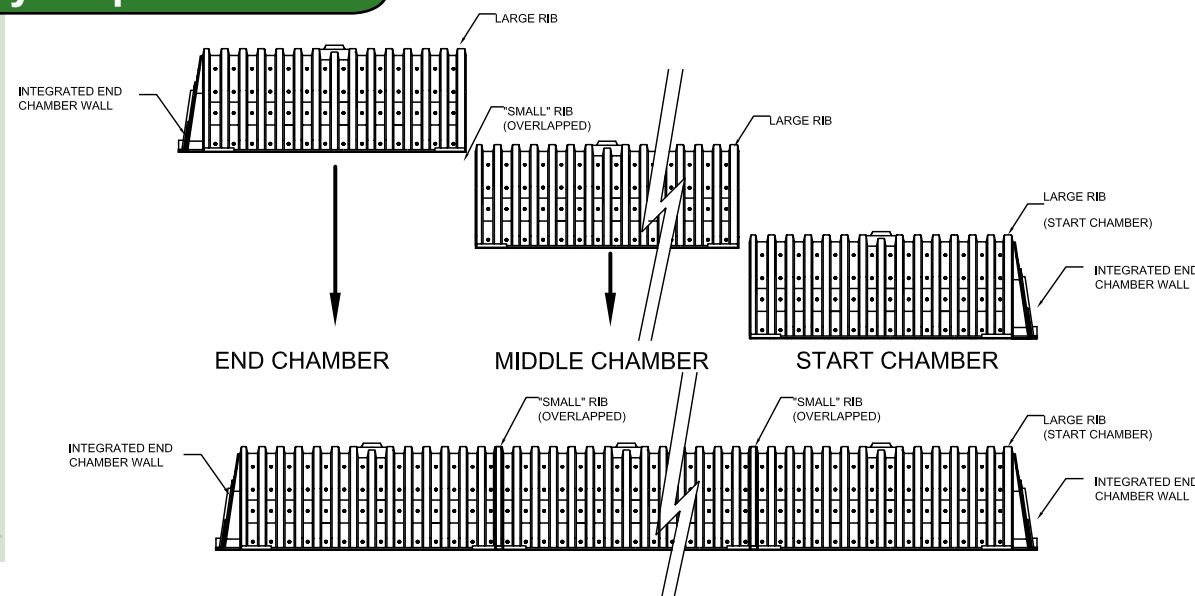
- Maximize land utilization with ecoChamber's underground stormwater storage system.
- Light weight - Two people can quickly and easily install chambers.
- Eco-3052 Chamber's unique design will accept 24" HDPE.
- Eco-2036 Chamber's unique design will accept 15" HDPE.
- High impact resistant HDPE material.
- Arch design - Proven geometric design for optimal H-20 live loads and deep burial loads.
- Re-engineering is not required when considering as an alternate to similar chamber products.
- High storage capacity reduces cost and maximizes land usage.
- ecoChambers are used for commercial, municipal and residential applications.
- ecoChambers have integrated end caps (no extra parts).

ecoChambers are an ecologically friendly product and contain no less than 50% recycled HDPE materials, which enhances ability to obtain LEED points.

- Each Chamber has 5/8" diameter drain holes along each side to increase lateral flow during extreme storm events.
- Each Chamber has interlocking connections with adjacent chambers.
- ecoChambers meet the HDPE material cell classification of 445500 as defined by ASTM D3350 with ASTM F2136 avg stress crack resistance exceeding 24 hrs.

Assembly Sequence

Each Chamber has interlocking connections with adjacent chambers for easy installation.

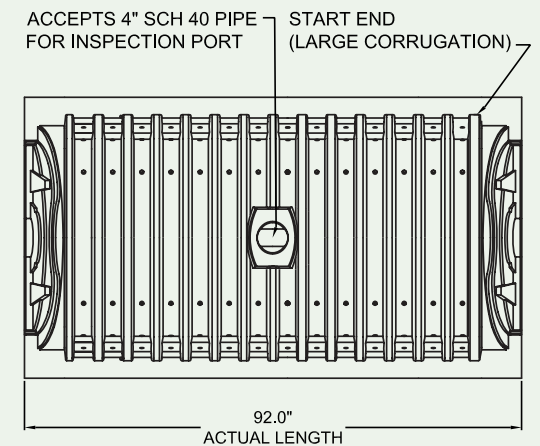
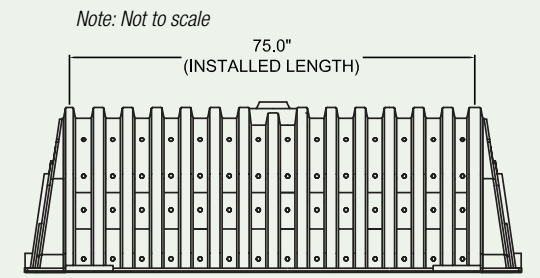
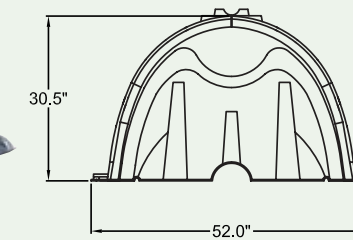


Detention-Retention-Recharge

ECO-3052

Size (W x H x Installed L) : 52" (1340 mm) x 30.5" (775 mm) x 75" (1905 mm)
Chamber Storage Volume : 46.6 f³ (1.31 m³) or 7.4 f³/Lf (.69 m³/m)
Installed Storage* : 70.0 f³ (2.0 m³) or 11.2 f³/Lf (1.05 m³/m)
Leaching Port Area : 45.9 in² (296.4 cm²)
Weight : Approximately 65 lbs.
Shipping : Up to 420 chambers (> 29,900 f³ installed storage) per truck load.

* Assumes 6" (150 mm) of stone below and around chambers and 40% stone porosity



ECO-2036

Size (W x H x Installed L) : 36" (914 mm) x 20" (508 mm) x 76" (1930 mm)
Chamber Storage Volume : 21 f³ (.59 m³) or 3.31 f³/Lf (.3 m³/m)
Installed Storage* : 36.3 f³ (1.05 m³) or 5.7 f³/Lf (.54 m³/m)
Leaching Port Area : 31.8 in² (205.2 cm²)
Weight : Approximately 35 lbs.
Shipping : Up to 700 chambers (> 25,500f³ installed storage) per truck load.

* Assumes 6" (150 mm) of stone below and around chambers and 40% stone porosity

Note: Not to scale

